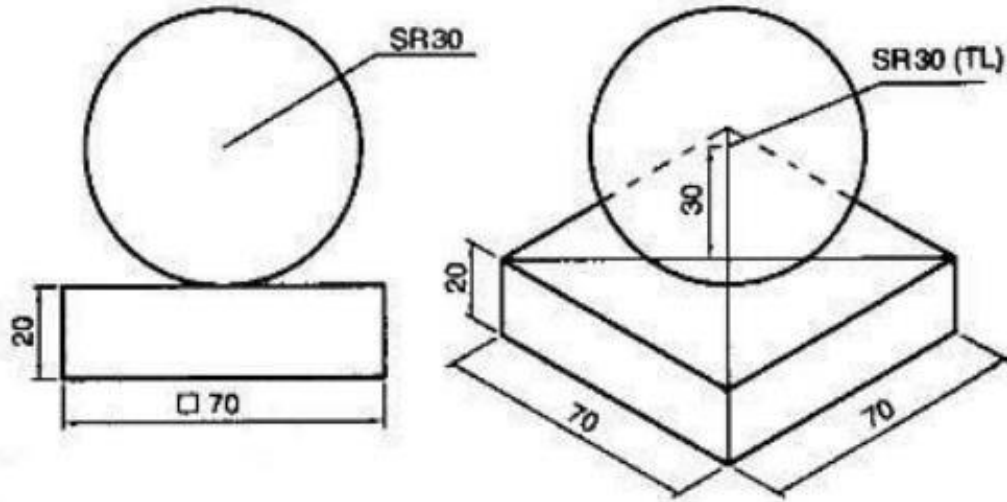


1. A Sphere with a 60 mm diameter is resting centrally on the Top of the Square Block with a 70 mm side 20 mm thickness. Draw an isometric view of the arrangement?



\*\*\*\*\*